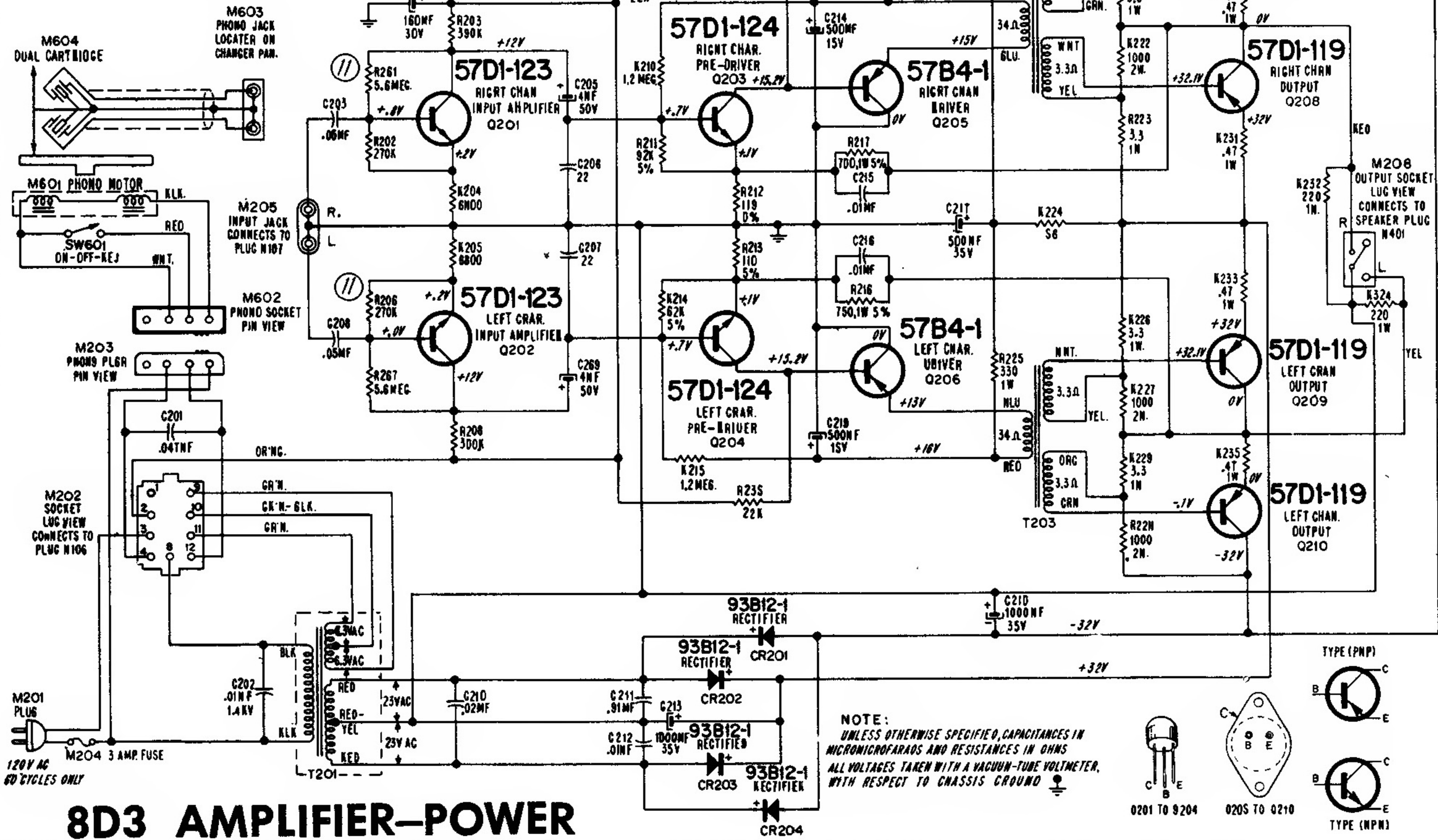


# RUN CHANGES

- 10 Start of production
- 11 To improve bass response, C203 & C208 changed from .03mf to .05mf.



# 8D3 AMPLIFIER-POWER

NOTE:  
UNLESS OTHERWISE SPECIFIED, CAPACITANCES IN  
MICROMICROFARADS AND RESISTANCES IN OHMS  
ALL VOLTAGES TAKEN WITH A VACUUM-TUBE VOLTMETER,  
WITH RESPECT TO CHASSIS GROUND

